

 **DICOM box[®] CA**

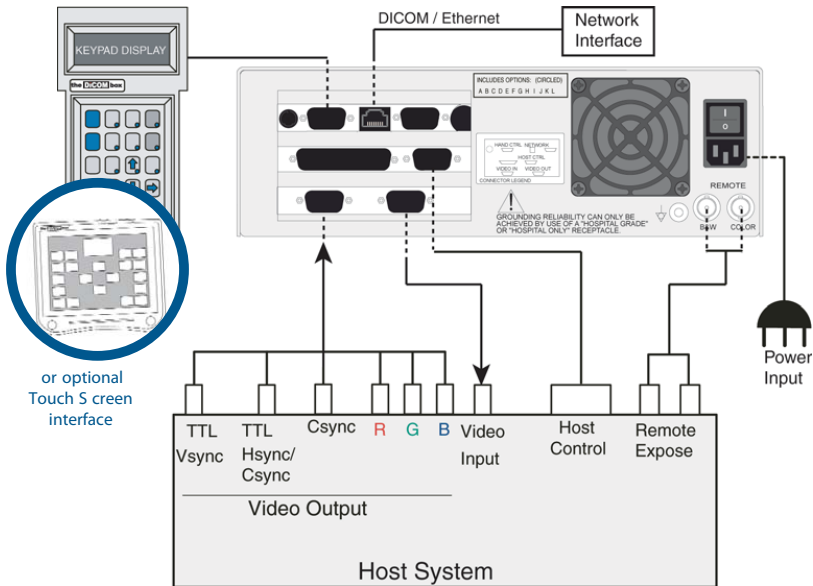
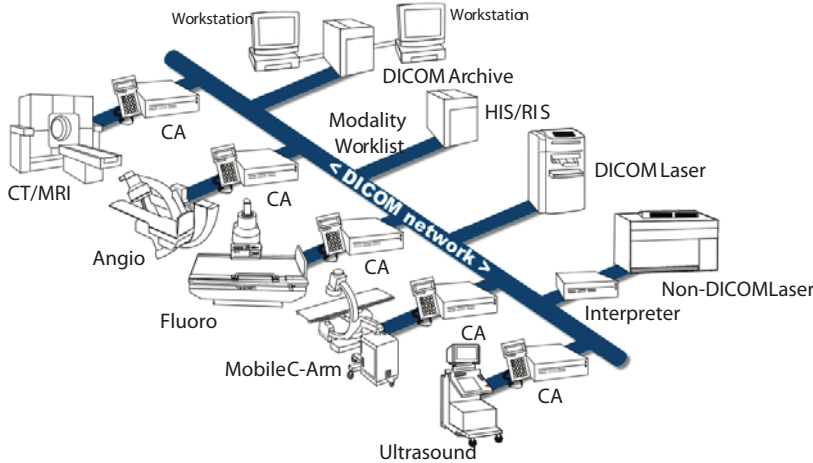
**Add network connectivity
to virtually any video-based
imaging system.**

The DICOM box[®] CA provides “off the shelf” connectivity including HIS/RIS integration via Modality Worklist and other network applications such as print and archive servers via the DICOM standard. Ideal for creating flexible and scalable DICOM networks and tying various modalities to PACS, teleradiology and print networks. The CA captures static video images from freeze-frame or last image hold up to 166MHz video pixel clock rates with a 2048x1024 matrix. The CA is compatible with over 1,000 modalities.

Connect your non-DICOM modalities to the PACS network

Features:

- ⚙️ Configurable DICOM Services
 - DICOM Print
 - DICOM Store
 - Modality Worklist
 - Modality Performed Procedure Step (MPPS)
 - Storage Commitment
- ⚙️ Multi-Modality compatible with over 1,000 models
- ⚙️ Optional Touch Screen Interface
- ⚙️ Interlaced or non-interlaced video input
- ⚙️ Multiple Print Destinations
- ⚙️ Simultaneous transfer to 2 storage class SCP
- ⚙️ Redundant Image Backup
- ⚙️ OCR Optical Character Recognition
- ⚙️ Quick network disconnect for mobile applications
- ⚙️ Remote foot or hand switch control interface
- ⚙️ Host Control interface - optional
- ⚙️ Software and option upgradability in the field
- ⚙️ Remote administration via telnet & FTP



Get Started

For more information about **DICOM box CA**, contact us at +1 925 846 9600 or email getstarted@pacsgear.com

Specifications

DICOM Service Classes (configurable)

- DICOM Print
- DICOM Store
- Modality Worklist
- Modality Performed Procedure Step
- Storage Commitment

Standard Video Input (terminated, 75 ohms)

- Monochrome composite video into Green input
- Red, Green, Blue (RGB) and composite sync
- Can be configured for sync on Green & separate sync
- Nominal 525/625 lines 30/25 fps
- Interlaced or non-interlaced
- Pixel Clock Minimum: 7 MHz
- Pixel Clock Max: 166 MHz High Rate

Optional Remote Operator Interface Keypad

Optional Color Print Capability

- Image Matrix Max: 1600 x 2046 RGB and B/W

Video Acquisition

Single Frame Monochrome & Color Capture

- Up to 2048 x 1024, 166MHz, 8 bit mono, 24 bit color

Internal Storage

- 2.2GB or greater Hard Drive

Network

- Ethernet 10/100 - selectable

Connectors

- Video I/O High Density DB15, Female pins
- Network: 8 pin modular jack (RJ45)
- Operator Interface Keypad: DB9, Male pins
- Host Control Input: DB9, Male pins
- Remote Capture Input: BNC, Female pins

Power Input

- 115-230 VAC, ±15% 47-63 Hz, 120 VA

Physical Characteristics Module

- Height: 3.25 inches (8.25 cm)
- Width: 10.125 inches (25.72 cm)
- Depth: 14.125 inches (35.88 cm)
- Weight: 8 pounds (3.68 kg)

Keypad

- Height: 7.15 inches (18.16 cm)
- Width: 4.10 inches (10.41 cm)
- Depth: 0.95 inches (2.41 cm)
- Weight: 8 ounces, (227g)

Environmental Operating

- Temperature: +50°F to +104°F, (+10°C +40°C)
- Barometric pressure: 700 hPa to 1060 hPa
- Relative Humidity: 5% to 80% non-condensing

Transit

- Temperature: +14°F to +122°F (-10°C to +50°C)
- Relative Humidity: 5% to 85% non-condensing

Clearance Requirements

- 3 inches (7.6cm) for rear panel cable connection
- Do not obstruct ventilation airflow at front and rear of module

Classification

- IEC 60601 Class 1, Type B
- EN 60601-1-2 Class B, Group 1
- IEC 60529, IP 21

Agency Approvals

- UL 60601-1 (1st Edition)
- EN 60601-1-2; CISPR 11B
- CAN/CSA C22.2 No 601.1-M90

“the DICOM box” and logo are registered trademarks of PACSGEAR, Inc. © 2010