

DICOM box[®] CA+



Review dynamic images and cine loops outside the normal confines of modality workstations.

The DICOM box[®] CA+ is a universal DICOM interface that allows users to review dynamic images and cine loops outside the normal confines of modality workstations. The CA+ provides realtime video acquisition and DICOM conversion from both monochrome and color video sources, capturing between ten seconds and several minutes of video data.* Acquisition frame rates are selectable. Record modes include R-wave trigger, prospective, retrospective, start/stop and single frame capture.

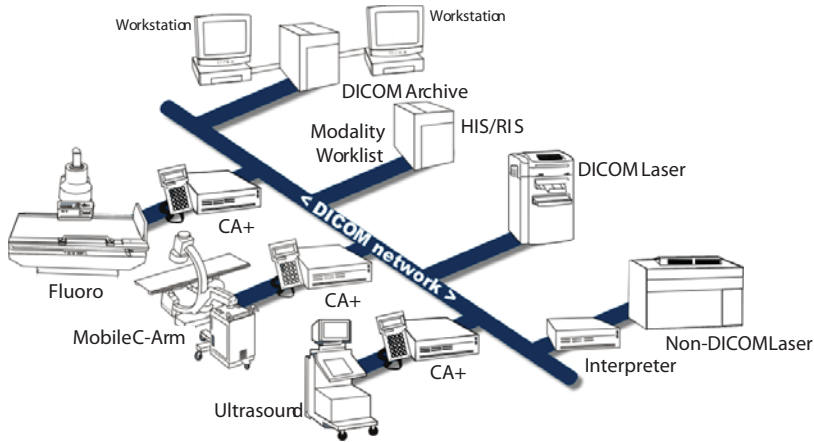
The CA+ simplifies the connectivity process and provides cine acquisition, lossy image compression, DICOM Store, Print, Modality Worklist, Performed Procedure Step and Storage Commitment for ultrasound, fluoroscopic, cardiac and angiographic systems. The CA+ can be fully integrated with HIS/RIS using Modality Worklist.

Connect your non-DICOM modalities to PACS

Features:

- ⚙️ Configurable DICOM Services
 - DICOM Print
 - DICOM Store
 - Modality Worklist
 - Modality Performed Procedure Step (MPPS)
 - Storage Commitment
- ⚙️ Optional Touch Screen Interface
- ⚙️ Realtime video acquisition
 - RGB color or monochrome
- ⚙️ R-wave trigger: 1 to multiple cycles
- ⚙️ Prospective and retrospective record modes from every frame to every seventh frame
- ⚙️ Playback review through host display or attached VGA/NTSC display
- ⚙️ DICOM compliant JPEG lossy compression or non-compressed transfer
- ⚙️ Interlaced or non-interlaced video input
- ⚙️ Software and option upgradability in the field
- ⚙️ Remote administration via telnet & FTP

*Maximum segment record length dependent on host video specification and frame rates.



Specifications

DICOM Service Classes (configurable)

- DICOM Print
- DICOM Store
- Modality Worklist
- Modality Performed Procedure Step
- Storage Commitment

Video Input (terminated, 75 ohms)

- Red, Green, Blue (RGB) and composite sync
- Monochrome composite video on green video input
- TTL composite or separate sync
- Interlaced or non-interlaced
- Pixel Clock Minimum: 7 MHz
- Pixel Clock Maximum Single Frame: 166MHz
- Pixel Clock w/o Playback Max 80 MHz RGB, 160 MHz Monochrome
- Pixel Clock w/ Playback Max 40 MHz RGB, 120 MHz Monochrome
- Image Matrix Max: 1600 x 2046 RGB and B/W
- Video Output locked to video input or VGA

Video Acquisition

- Maximum record length dependent on host video specs
- 768MB video acquisition RAM
- User selectable frame rates

Acquisition modes

- Retrospective, Prospective, Start/Stop
- R-Wave Trigger: 1 to multiple cycles

Image Review

- Configurable for image playback through host display
- Variable frame rate playback from realtime to freeze frame

Network

- Ethernet 10/100
- Image Compression: JPEG lossy or uncompressed

Connectors

- Video I/O High Density DB15, Female pins
- Network: 8 pin modular jack (RJ45)
- Operator Interface Keypad: DB9, Male pins
- Host Control Input: DB9, Male pins
- Remote Capture Input: BNC, Female pins

Power Input

- 115-230 VAC, ±15% 47-63 Hz, 120 VA

Physical Characteristics Module

- Height: 3.25 inches (8.25 cm)
- Width: 10.125 inches (25.72 cm)
- Depth: 14.125 inches (35.88 cm)
- Weight: 8 pounds (3.68 kg)

Environmental Operating

- Temperature: +50°F to +104°F, (+10°C to +40°C)
- Barometric pressure: 700 hPa to 1060 hPa
- Relative Humidity: 5% to 80% non condensing

Transit

- Temperature: +14°F to +122°F (-10°C to +50°C)
- Relative Humidity: 5% to 85% non condensing

Clearance Requirements

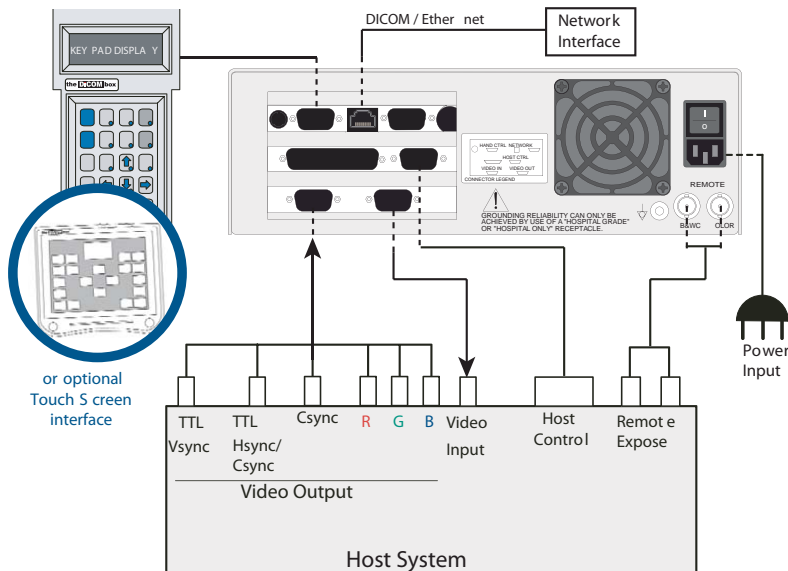
- 3 inches (7.6cm) for rear panel cable connection
- Do not obstruct ventilation airflow at front and rear of module

Classification

- IEC 60601 Class 1, Type B
- EN 60601-1-2 Class B, Group 1
- IEC 60529, IP 21

Agency Approvals

- UL 60601-1 (1st Edition)
- EN 60601-1-2; CISPR 11B
- CAN/CSA C22.2 No 601.1-M90



Get Started

For more information about **DICOM** box **CA+**, contact us at +1 925 846 9600 or email getstarted@pacsgear.com



“the DICOM box” and logo are registered trademarks of PACSGEAR, Inc. © 2010